



# ECO Series-Mobile Welding Fume Filter Unit

## Technical Specifications



**ECO:1 Mobile Filter Unit**



**Plug-n-Play**

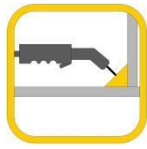
### Highlights and Specifications:

- Economical solution for low frequency (Daily 2-3 hours open current) mobile welding fume filtration solution.
- Fully compatible design according respective DIN, EN, ISO and CE standards.
- Fully compatible design to EN ISO 15012 W3 standard. (Certification in Progress)
- As standard contamination free filter change from clean air side.
- Prolonged 300-600 hours filter life with special inlet diffuser. (Filter lifetime subject to welding rod type and work intensity)
- Fully sealed dust free filter mounting with filter sealing and compression.
- As Standard F9 class filter elements (95% dust separation for 0,3-1 micron particles) or Optional H13 HEPA Filter (99,95% dust separation for 0,1-0,2 micron particles).  
F9 filters Ashrea equivalent is MERV 15-16. H13 filters exceeds MERV 16 rating.
- As standard "Dirty Filter Signal" warns insufficient air extraction when filter elements are clogged.
- Increased fire safety with Special inlet diffuser and vertically placed metal mesh prefilter.
- As standard vertical clean air outlet with silencer ensures low sound levels and no interference with surroundings.
- High Efficiency and Low Drag External Joint EK-2 type extraction arms are standard accessory.
- Extraction arm joint hose material is special alloy polyurethane which is Flame Retardant (certified acc to DIN4102-B1 standard) and High Wear Resistant
- ECO-series filter units are equipped with high efficiency backward curved and G6.3 level dynamically and statically balanced.
- ECO-series special design ensures the most user-friendly, fast and easy maintenance in its class.

Model	Capacity	Motor	Filter Surface	Filter #	Sound Level	Weight (w/o arm)
ECO:1 (F9)	765 CFM	1,5 HP	226 ft <sup>2</sup>	2 pcs.	69db(A)	243 lbs.
ECO:1 (H13)	765 CFM	1,5 HP	247 ft <sup>2</sup>	2 pcs.	69db(A)	243 lbs.
ECO:2 (F9)	1530 CFM	3,0 HP	452 ft <sup>2</sup>	3 pcs.	76db(A)	397 lbs.
ECO:2 (H13)	1530 CFM	3,0 HP	494 ft <sup>2</sup>	3 pcs.	76db(A)	397 lbs.

\*All motors 60hz-3600rpm three phase as standard.

\*\*Monophase and various voltage rating motors available on request.



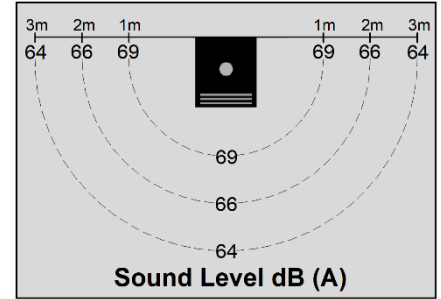
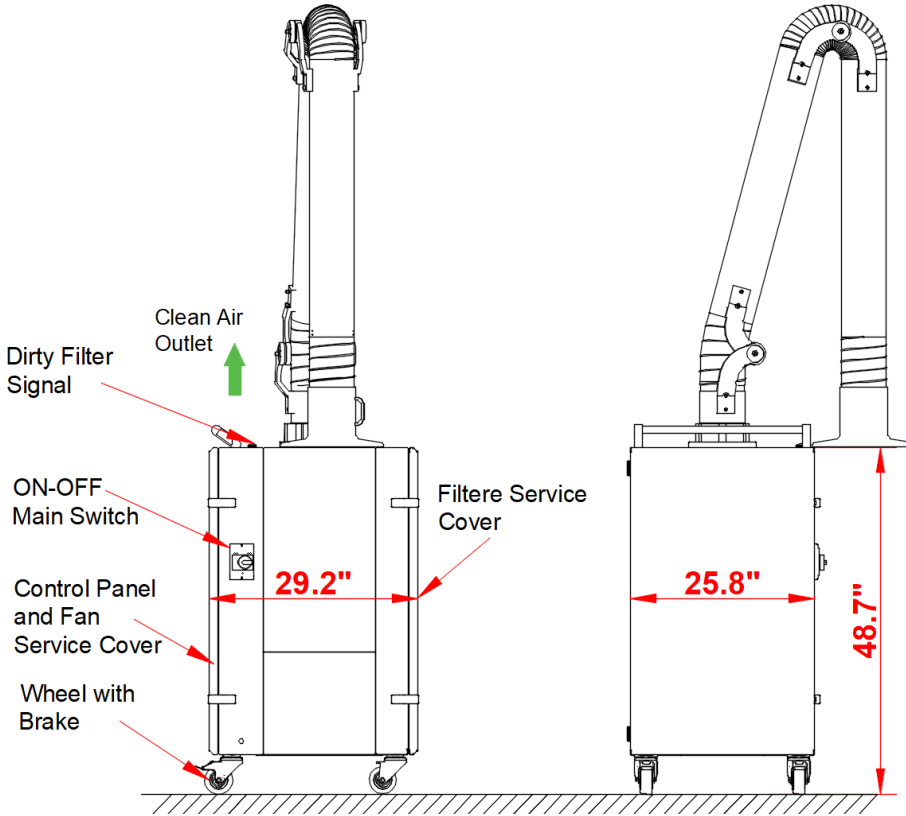
# ECO Series-Mobile Welding Fume Filter Unit

## Technical Specifications



### DIMENSIONS:

#### ECO:1 Mobile Filter Unit



#### ECO:2 Mobile Filter Unit

