



ECO Series-Mobile Welding Fume Filter Unit

Technical Specifications

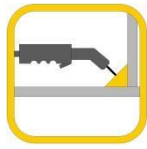


Plug-n-Play

ECO:1 Mobile Filter Unit

Model	Capacity	Motor	Filter Surface	Filter #	Sound Level	Weight (w/o arm)
ECO:1 (F9)	1300 m ³ /h	1,1 kW	21 m ²	2 pcs.	69db(A)	110 kg
ECO:1 (H13)	1300 m ³ /h	1,1 kW	23 m ²	2 pcs.	69db(A)	110 kg
ECO:2 (F9)	2600 m ³ /h	2,2 kW	42 m ²	3 pcs.	76db(A)	180 kg
ECO:2 (H13)	2600 m ³ /h	2,2 kW	46 m ²	3 pcs.	76db(A)	180 kg

*All motors 50hz-3000rpm



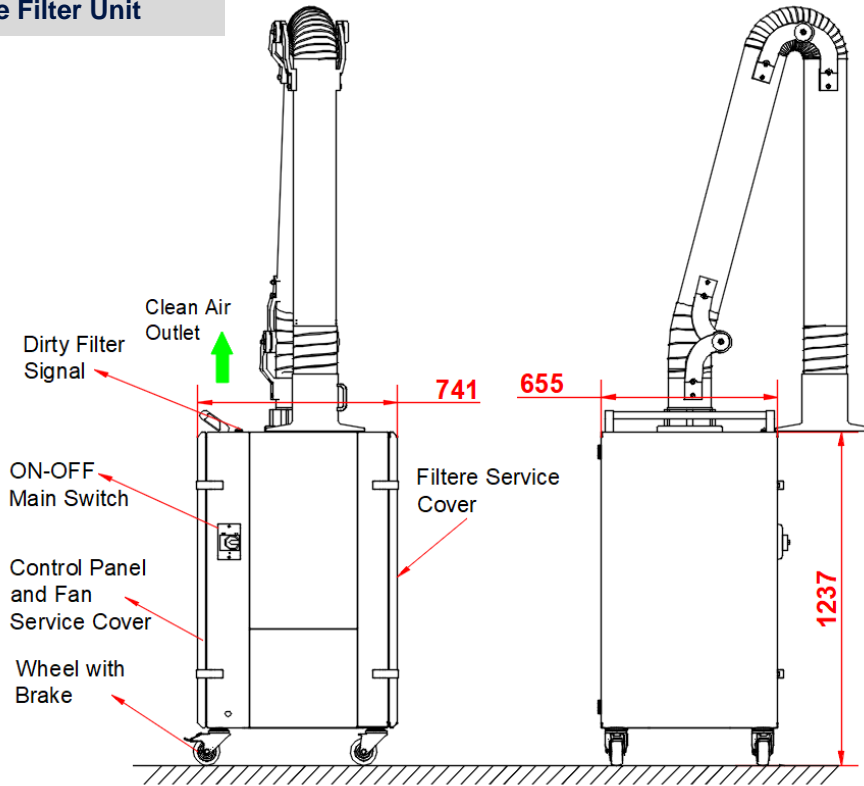
ECO Series-Mobile Welding Fume Filter Unit

Technical Specifications

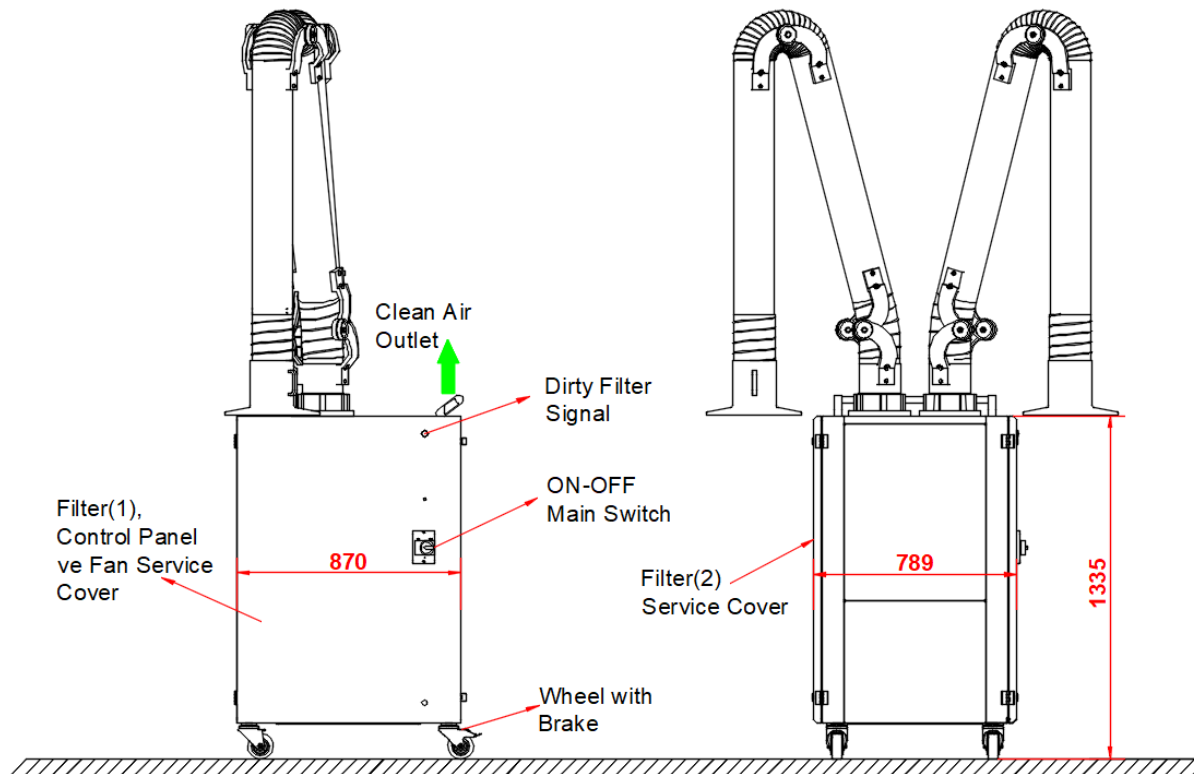


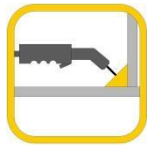
DIMENSIONS:

ECO:1 Mobile Filter Unit



ECO:2 Mobile Filter Unit





ECO Series-Mobile Welding Fume Filter Unit

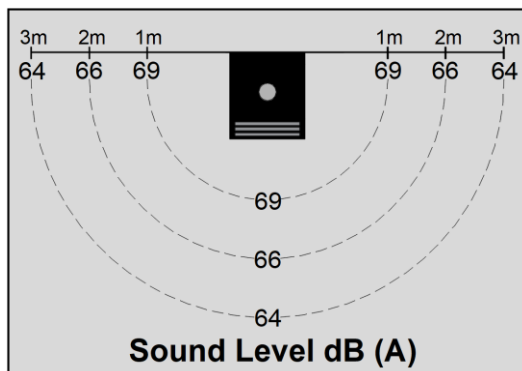
Technical Specifications



Highlights and Specifications:

- Economical solution for low frequency (Daily 2-3 hours open current) mobile welding fume filtration solution.
- Fully compatible design according respective DIN, EN, ISO and CE standards.
- Fully compatible design to EN ISO 15012 W3 standard. (Certification in Progress)
- As standard contamination free filter change from clean air side (Kontaminationsfreier Filterwechsel)
- Prolonged 300-600 hours filter life with special inlet diffuser. (Filter lifetime subject to welding rod type and work intensity)
- Fully sealed dust free filter mounting with filter sealing and compression.
- As Standard F9 class filter elements (95% dust separation for 0,3-1 micron particles) or Optional H13 HEPA Filter (99,95% dust separation for 0,1-0,2 micron particles).
- As standard "Dirty Filter Signal" warns insufficient air extraction when filter elements are clogged.
- Increased fire safety with Special inlet diffuser and vertically placed metal mesh prefilter.
- As standard vertical clean air outlet with silencer ensures low sound levels and no interference with surroundings.
- High Efficiency and Low Drag External Joint EK-2 type extraction arms are standard accessory.
- Extraction arm joint hose material is special alloy polyurethane which is Flame Retardant (certified acc to DIN4102-B1 standard) and High Wear Resistant
- ECO-series filter units are equipped with high efficiency backward curved and G6.3 level dynamically and statically balanced.
- ECO-series special design ensures the most user-friendly, fast and easy maintenance in its class.

ECO:1 Sound Levels



ECO:2 Sound Levels

