



KAB-Series FILTER UNITS

Technical Specifications

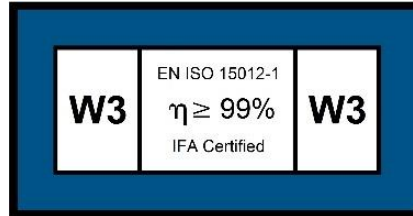


Passion for excellence in clean air solutions.



KAB-83 Filter Unit

Integrated Control Panel with Automatic ΔP Pressure Controlled Jet-pulse cleaning.



IFA-DGUV Germany
W3 certified.
Cert. No: IFA 1905014



PLUG-n-PLAY
Ready to operate!



INTENDED USE

- KAB Filter units are specially designed for dedusting of welding fume, smoke and dust at manual or robotic welding stations.
- Ready-to-operate (plug-n-play) with filters, integrated fan, control panel and automatic jet pulse cleaning.
- KAB Series with W3 certification acc. to EN ISO 15012 standard, is used in any welding process including stainless steel welding.
- Thanks to its compact tower design, KAB saves space on production ground.

ENERGY SAVING - AUTOMATION

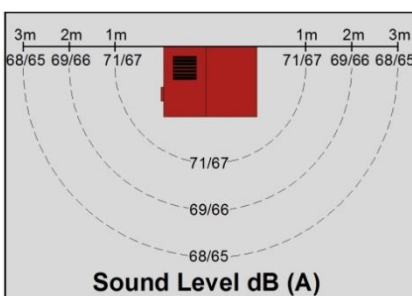
- OPTIONAL-VFD driven and automatic PID pressure transmitter fan speed control for energy saving.
- Low consumption of pressured-air with ΔP controlled automatic jet-pulse cleaning.
- Automatic start and stop synchronous with the operation. Fault signal sharing.
- Visual real-time dust level control of filter elements via manometer.
- Automation is implemented with simple control panel with worldwide available components.

SAFETY- DURABILITY

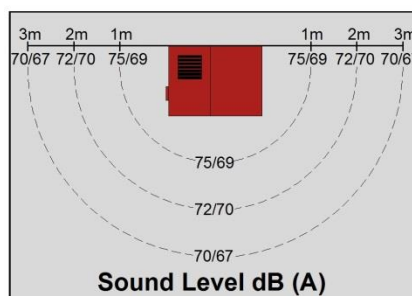
- High filtration efficiency with Dust Class: M (acc. to EN 60335-2-69) ePTFE membrane filter elements which arrests 0,2-2 micron particles with 99,9% efficiency.
- OPTIONAL- For different dust types, standart polyester non-woven, Aluminum coated, Flame Retardant Polyester or Stainless steel Propylene nonwoven filter elements are also available.
- Ave. 10000-15000 working hour lifespan with specially designed filter cartridges, effective jet pulse cleaning and inlet diffuser which ensures impact-free entrance.
- Maximum operational safety with fully integrated control panel and internal electrical wiring.
- Aluminum fan rotors with low weight and inertia ensure longer electrical motor life-span.

EASY MAINTENANCE

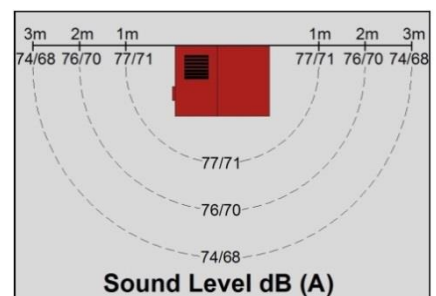
- Easy access doors to every component on the filter unit.
- Unique high volume, easy-to-handle dust bin.
- User-freindly locking mechanism: Dust bins are unlocked, offloaded and replaced in matter of seconds.



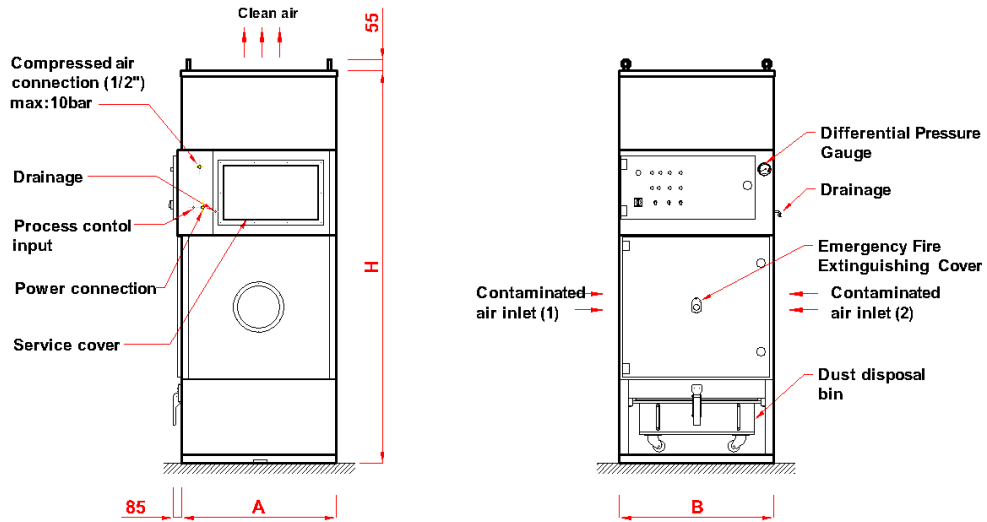
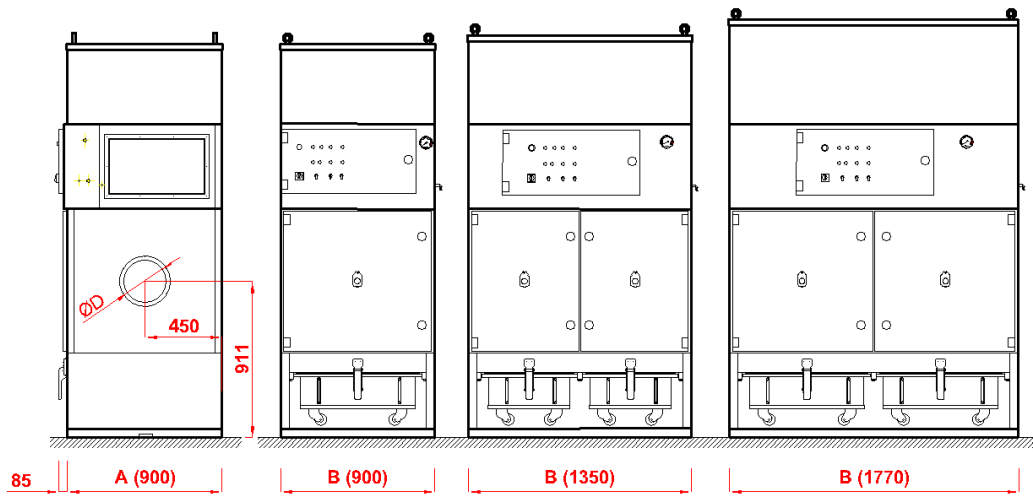
KAB-Low Pressure Series



KAB-Medium Pressure Series



KAB-High Pressure Series



TYPE	CAPACITY (m ³ /h)	FAN PRESSURE (Pa)	MOTOR (kW)	FILTER SURFACE (m ²)	A X B (mm)	H (mm)	Dust Bin (liter)	ØD (mm)	WEIGHT (kg.)
KAB-42	1700-2800	2330	2,2	28	900 x 900	2268	1x100	200	392
KAB-43	1700-2800	3200	3,0	28	900 x 900	2268	1x100	200	395
KAB-44	1700-2800	4250	4,0	28	900 x 900	2268	1x100	200	405
KAB-62	2520-4200	2140	3,0	42	900 x 950	2268	1x100	250	403
KAB-63	2520-4200	2850	4,0	42	900 x 950	2268	1x100	250	413
KAB-64	2520-4200	3900	5,5	42	900 x 950	2331	1x100	250	424
KAB-65	2520-4200	5300	7,5	42	900 x 950	2331	1x100	250	435
KAB-82	3360-5600	2140	4,0	56	900 x 1350	2282	2x70	280	524
KAB-83	3360-5600	2930	5,5	56	900 x 1350	2349	2x70	280	535
KAB-84	3360-5600	4000	7,5	56	900 x 1350	2349	2x70	280	539
KAB-102	4200-7000	2350	5,5	70	900 x 1770	2368	2x100	315	546
KAB-103	4200-7000	3200	7,5	70	900 x 1770	2368	2x100	315	551
KAB-104	4200-7000	4700	11,0	70	900 x 1770	2449	2x100	315	618
KAB-122	5000-8400	2500	7,5	84	900 x 1770	2368	2x100	355	558
KAB-123	5000-8400	3700	11,0	84	900 x 1770	2449	2x100	355	625

*Ongoing product development may subject the technical specifications to alteration without notice.

- Ready-to-operate with filters, built-in fan-motor group, silencer and control panel.
- Electrical connection 400V, 3P N PE ~ 50Hz as standard. (Different electrical supply configuration options are available-On Request such as 480V, 3P N PE ~ 60Hz. etc.)
- Built-in air pressure regulator (0-10 bar) and Drainage for pressured air tank.