

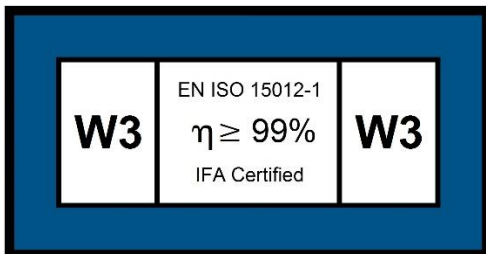
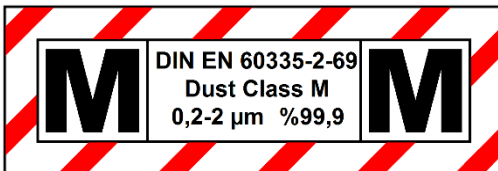


PM-MOBILE WELDING FILTER UNIT

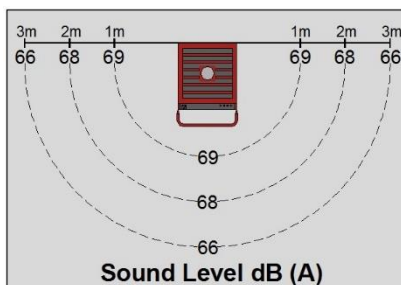
PM-801 and PM-802 Technical Specifications:



PM-801 Mobile Filter Unit
EN ISO 15012-1
IFA-DGUV W3 Certified



W3 Certification No: IFA 1205041



EXCLUSIVE

- Specially designed for extraction and filtration of welding fumes and emissions.
- Ready-to-operate with filters and integrated fan as a single compact unit.
- PM-801 (single arm) and PM-802 (double arm) models selection is possible. PM-802(double arm) creates flexible work environment for two welders.
- With its wheels, mobile units can be positioned anywhere on plant floor. With small foot print, they only need a small area on the floor.
- Low Sound Level $\leq 69\text{dB(A)}$ with statically and dynamically balanced (Balance Grade G2.5) fan and silencer.

INTERNATIONALLY CERTIFIED

- PM-801 is granted **W3 certificate** by **IFA-DGUV** according to **EN ISO15012-1 "Health and safety in welding and allied processes"** standard. W3 certificate ensures that it is safe to recycle filtered air even the welded parts are high alloy steels with Nickel and Chromium.

ENERGY SAVING

- **With IFA-DGUV W3** certificate, the filtered and recycled air prevents heat loss and ensures environment friendly and healthy application.
- Filter dirtiness level is measured through ΔP controlled sensor continuously. The sensor signals only when maintenance is necessary.

SAFETY

- High filtration efficiency with ePTFE membrane polyester non-woven filter media. Dust Class: M (acc. to EN 60335-2-69 standard) which arrests 0,2-2 micron particles with 99,9% efficiency.
- Extraction arm hoses are flame retardant acc. to DIN 4102-B1 standard and resistant to wear, bacteria and hydrolysis.
- Metal mesh pre filter minimizes the fire risk due to sparks.
- Maximum operational safety with internal electrical wiring and fully integrated control panel including thermic switch, ΔP pressure sensor for filters and fan rotational direction sensor.
- With continuous measuring ΔP pressure sensor, Filter dirtiness level is measured constantly and warns operator before risk to operator's safety.

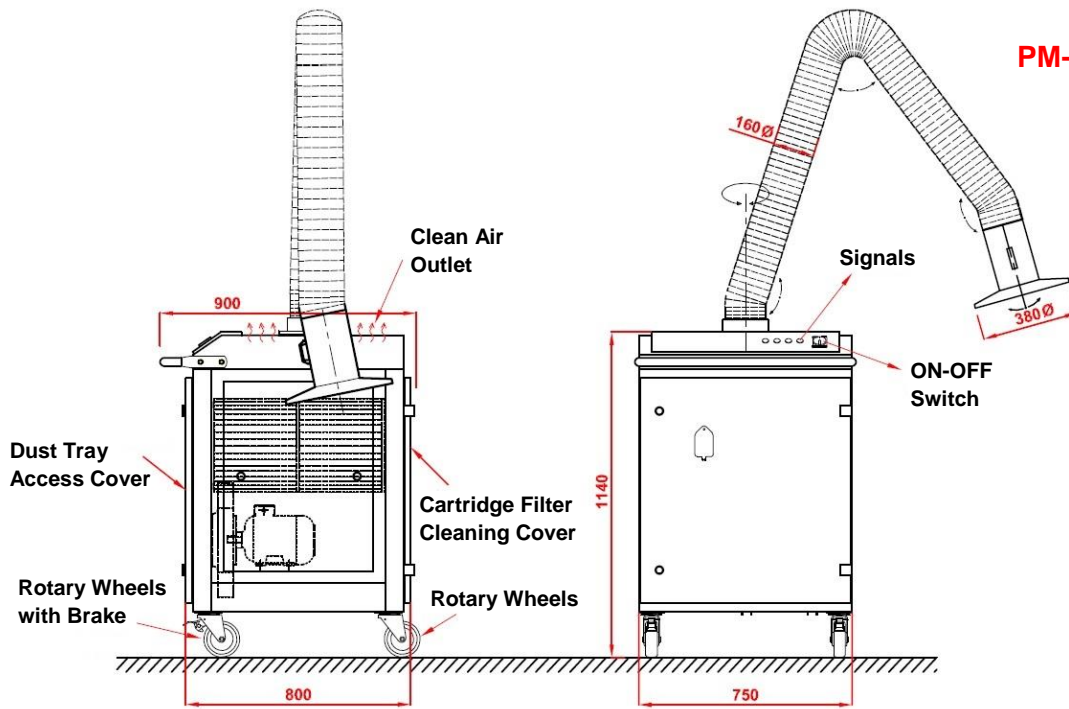
DURABILITY

- Cartridge pleated ePTFE (membrane polyester non-woven filters have long lifespan - average 6000-10000 working hours according to work conditions.
- Optional Oil-mist prefilter extends Main cartridge filter lifespan, if oily parts are welded.
- As standard, aluminum fans with low weight and inertia ensure high electrical motor lifespan.

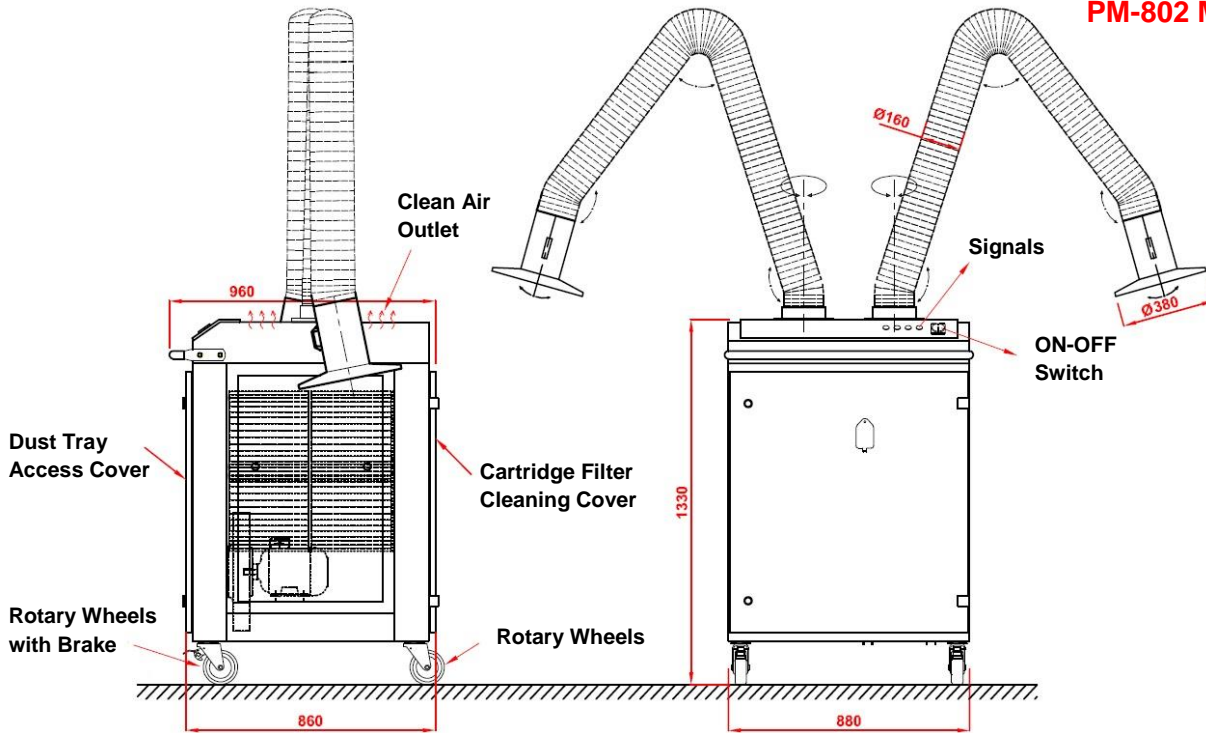
EASY MAINTENANCE

- Easy access and service to every component with access doors.
- Fast maintenance with easy-to-use dust drawer.
- Filter manual cleaning is performed easily with pressured air pistol from clean air side without removing cartridge filters.

PM-801 Mobile Filter Unit



PM-802 Mobile Filter Unit



Model	Capacity	Motor	Filter Area	Number of Filter	Weight (without arms)
PM-801	1200 m ³ /h	1,5 kW	10 m ²	1 Pcs	104 kg
PM-802	2400 m ³ /h	3,0 kW	20 m ²	2 Pcs	132 kg

- PM-Mobile filter units are ready-to-use compact filter units with filter, motor-fan and extraction arms.
- 10 meter electrical cable length is standard with Motor thermic protection switch, faulty motor signal, fan rotational direction sensor and ΔP filter dirtiness sensor and signal.
(400V, 3P N PE ~ 50Hz Electrical Voltage – Other Voltage specifications are optional.)
- As standard, high efficient, backward curved, and directly coupled fans made of aluminum, are statically and dynamically balanced(G2,5).
- Filter dirtiness level is measured continuously and warns operator when maintenance is necessary.
- Extraction arm length can be chosen as 2, 3 or 4 meters as standard.